

ASSEMBLING INSTRUCTION

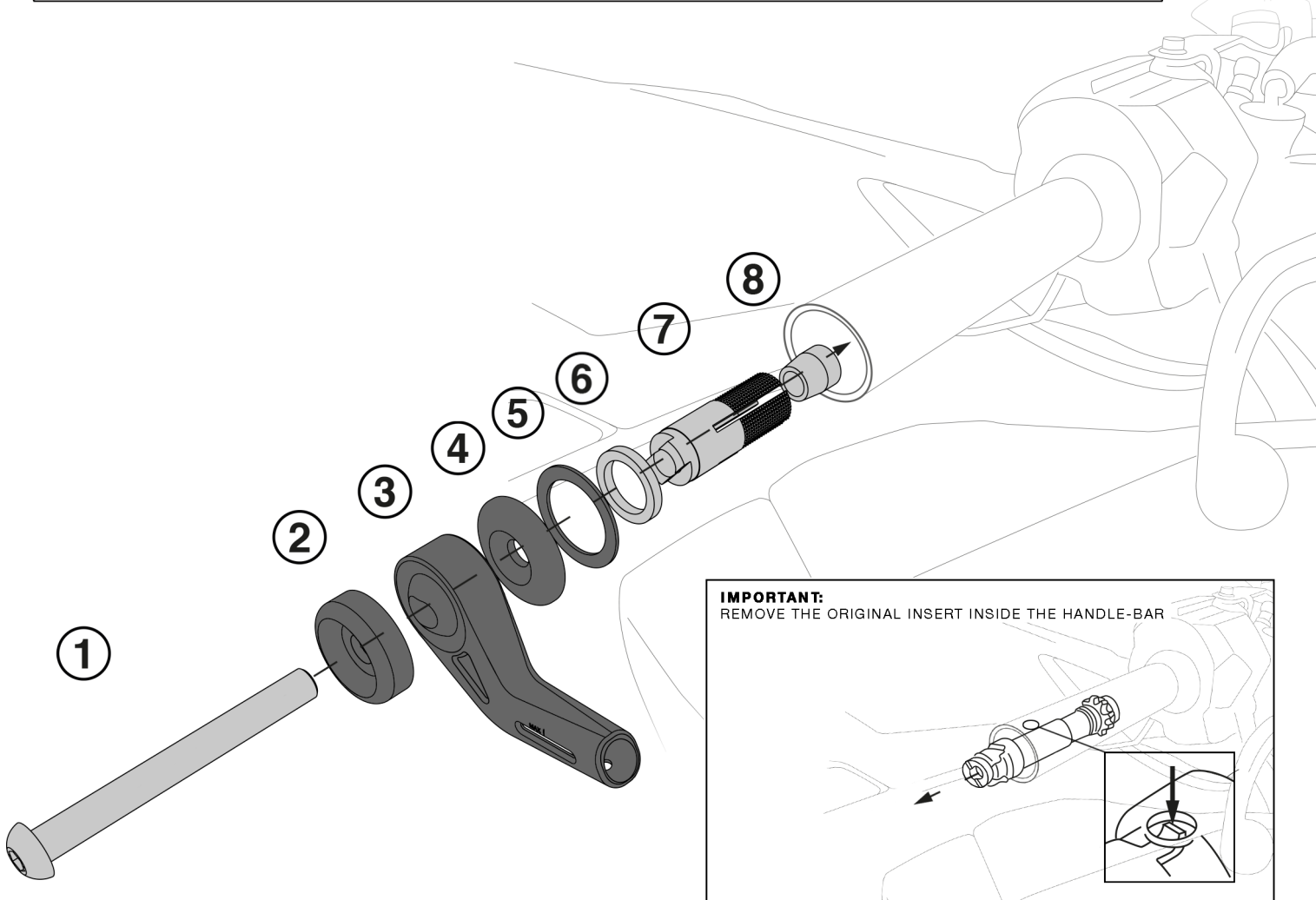
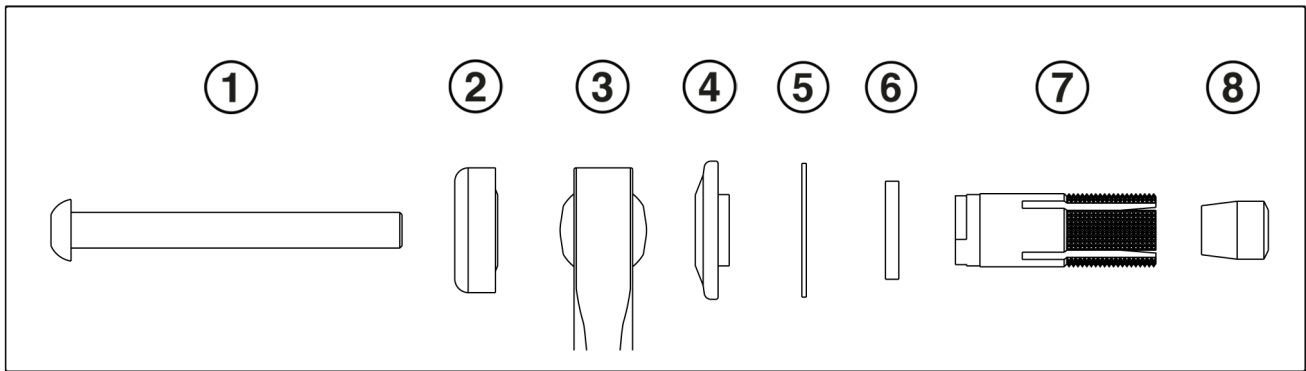
LEVER PRO-TECT HONDA FITTING

WWW.BARRACUDAMOTO.COM

LEGEND

- | | |
|------------------------------------------------------------------------------------------------------------------------------------------------------------------------------------------------------------------------------------------------------------------------------------------------------------------------------------------------|---------------------------------------------------------------------------------------------------------------------------------------------------------------------------------------------------------------------------------------------------------------------------------------------------------------------------------------------|
| <p>1. SCREW
VITE
TORNILLO
SCHRAUBE
VIS</p> <p>2. INSERT
INSERTO
INSERTO
METALLEINSATZ
INSERT</p> <p>3. LEVER PROTECTOR
PARALEVA
PROTECTOR MANETA
HEBELSCHUTZ
PROTECTION LEVIER</p> <p>4. SPACER
SPESSORE
ANTIVIBRACION
ABSTANDSHALTER
ESPACEUR</p> | <p>5. WASHER
RONDELLA
ARANDELA
SCHEIBE
RONDELLE</p> <p>6. WASHER
RONDELLA
ARANDELA
SCHEIBE
RONDELLE</p> <p>7. KNURLED EXPANDER
ESPANSORE ZIGRINATO
EXTENSOR NUDOSO
GERÄNDELT EXPANDER
EXPANSEUR MOLETÉ</p> <p>8. NUT
DADO
TUERCA
NUSS
ÉCROU</p> |
|------------------------------------------------------------------------------------------------------------------------------------------------------------------------------------------------------------------------------------------------------------------------------------------------------------------------------------------------|---------------------------------------------------------------------------------------------------------------------------------------------------------------------------------------------------------------------------------------------------------------------------------------------------------------------------------------------|

COMPLETE SET



IMPORTANT:
REMOVE THE ORIGINAL INSERT INSIDE THE HANDLE-BAR

